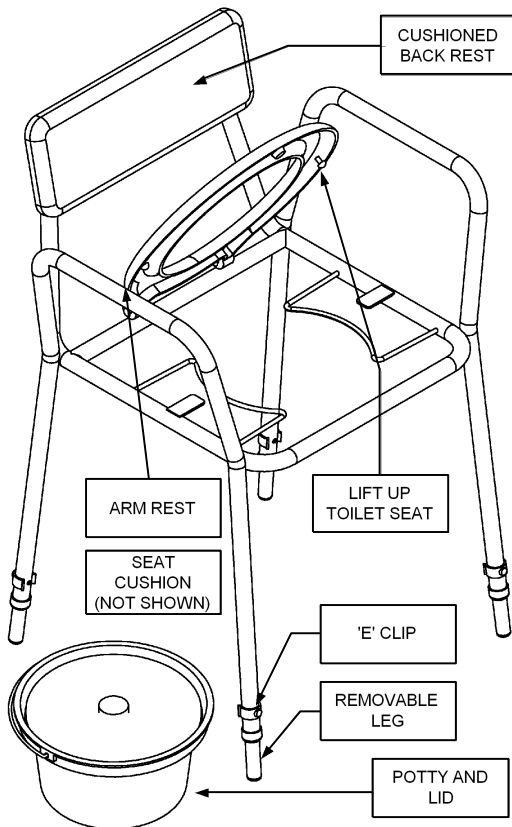


Drive DeVilbiss Healthcare Ltd.
Sidhil Business Park, Holmfild,
Halifax, West Yorkshire, HX2 9TN.

**Applicable to: 180, 181, 182 Series
1343/EX/MAG and 1345/MAG**

PARTS DESCRIPTION

Note: Diagram supplied for parts identification only and may differ visually from the model supplied.



SAFETY CONSIDERATIONS

- Examine commode for visual damage before use.
- Periodically check for (1) elongated or stressed holes, (2) split, worn or loose tips, (3) split or damaged upholstery. If damage is found, replace the part(s) or device.
- Do not exceed the maximum weight limit of the commode, which is stated on the product label.
- For the best stability, try to ensure the user's weight is distributed as centrally and evenly as possible across the commode. Ensure the commode is not 'swung on' in a forward or backward motion, as this can cause the legs to fold inwards.
- Never attempt to lift a commode by the armrests.
- Warning! Keep cigarettes and sources of heat and flames away from the commode.

TO ADJUST THE HEIGHT

(Applicable to 181, 182 and 1343/EX/MAG)

To adjust the height of the commode, first remove the E-clip then reposition the leg as required. Secure by reinserting the E-clip until it snap locks into position. Repeat for the remaining legs, ensuring all legs are the same height and sitting evenly on the floor.

The height of the commode should not be altered without consulting your nurse or therapist.

TO REMOVE THE ARMRESTS (182 only)

Lift the arms up to remove them, to aid transfer for example. Slot the arms back into place on the frame.

Never attempt to lift a commode by the armrests.

OPERATION

- The commode has two sturdy armrests to aid users when sitting or getting up from the commode.
- The commode has a cushioned backrest and removable seat cushion, for user comfort.
- The potty and lid are removed by first tilting the toilet seat back and then lifting the potty out, using its handle.

CLEANING INSTRUCTIONS

The commode should be wiped clean with hot water and mild chloride disinfectant (e.g. 1000ppm solution). The potty and lid can be removed for cleaning.

Where there is a risk of cross-contamination or infection, the seat, potty & lid, should be subject to a decontamination procedure.

After cleaning, thoroughly dry or use a water dispersing agent to prevent rust from forming.

SPECIFICATION

Maximum User Mass: 180kg (180, 181 & 182 series)
Maximum User Mass: 160kg (1343 & 1345 series)

WARRANTY

The stacking commode comes with a twelve-month warranty from date of purchase. The warranty covers design and manufacturing defects. It does not cover environmental damage, accidental damage or wear and tear. This does not affect your statutory rights.