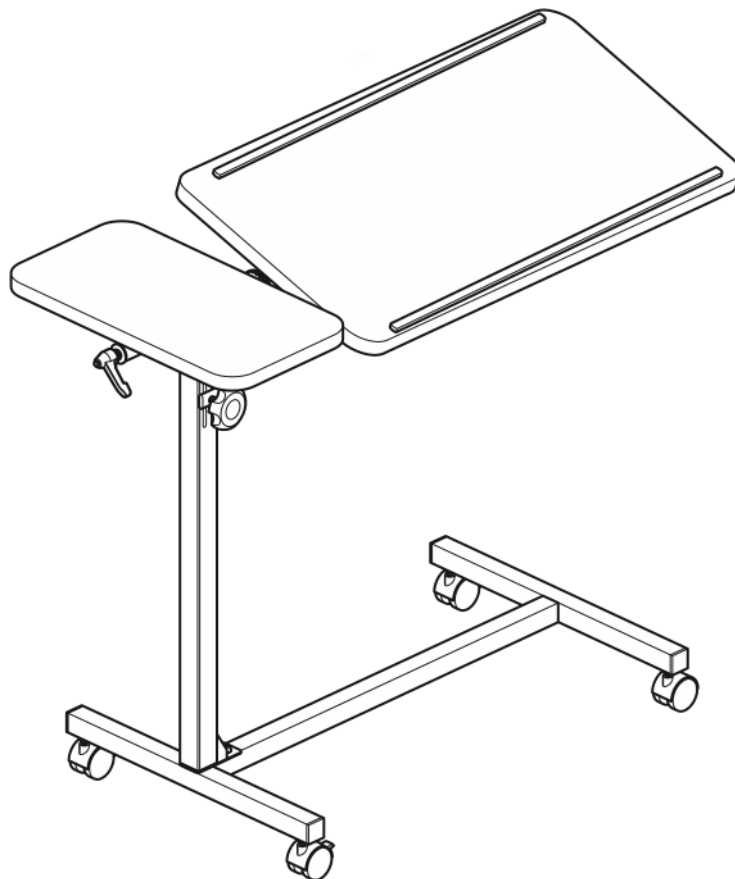


drive

DeVilbiss[®]
HEALTHCARE

Deluxe Over Bed/Chair Table – Twin Top

Assembly & User Instructions



**Please read these instructions carefully before assembling or using this product.
Ensure you are familiar with all of the safety and user instructions.**

Retain all packaging until you have accepted the product.

Introduction

The Twin Top Over Bed Table can be used in conjunction with a bed or chair, and is ideal for reading, writing, or using a laptop on, etc.

It has two height adjustable tabletops, the larger of which is angle adjustable and has two lips, to help prevent items slipping off the table.

The table is also highly portable, with a lightweight yet sturdy steel frame.

For more details about our product range, please see your local dealer.



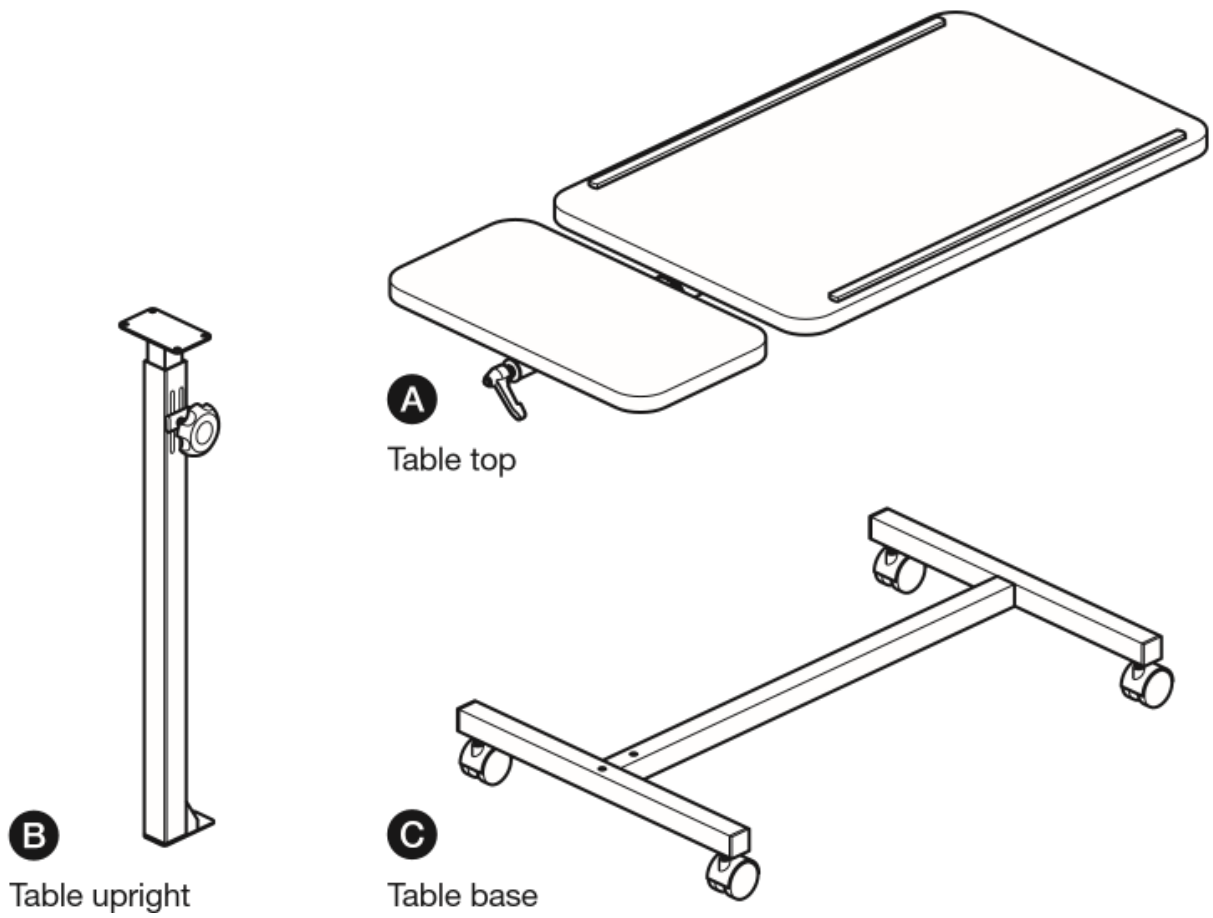
Important Safety Information

Please read all of these instructions fully, before assembly or use.

- Unpack and check that you have all the parts shown.
- To avoid risk of suffocation to children or animals, dispose of the plastic bags correctly.
- Remove all packaging materials and dispose of correctly, once the product has been accepted.
- Parts of the assembly are best carried out by 2 people.
- Ensure that only Drive parts are used on the table.
- The weight limit on the table is 15kg (33lbs).
- The maximum adjustable height of the table is 94cm. Do not exceed this limit.
- When adjusting the table height/angle, the table will drop unless it is supported.
- For maximum stability, always try to keep heavy items near the centre of the table tops.
- The table is not suitable for leaning on, standing on, or sitting on, or any other similar load bearing function.
- Periodically, visually inspect the fixings and retighten if necessary.
- It is recommended that you remove any items on the table tops before moving it.
- This product should not be discarded with household waste. Take to your local authority waste disposal centre.

Please keep these instructions for future reference.

Parts



Hardware

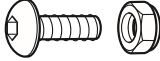
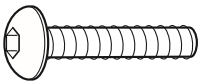
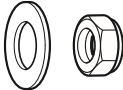
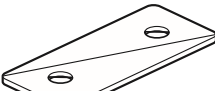


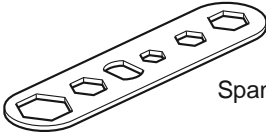
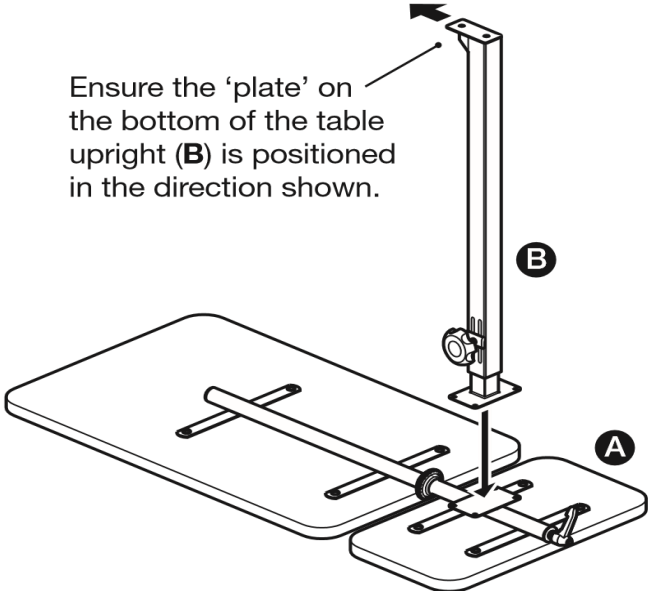
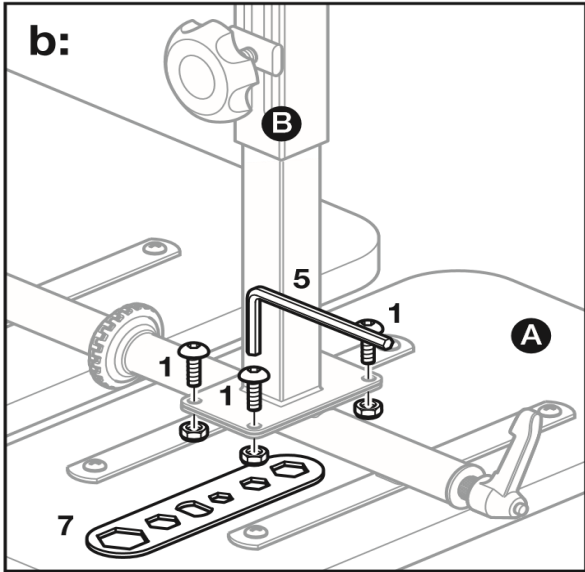
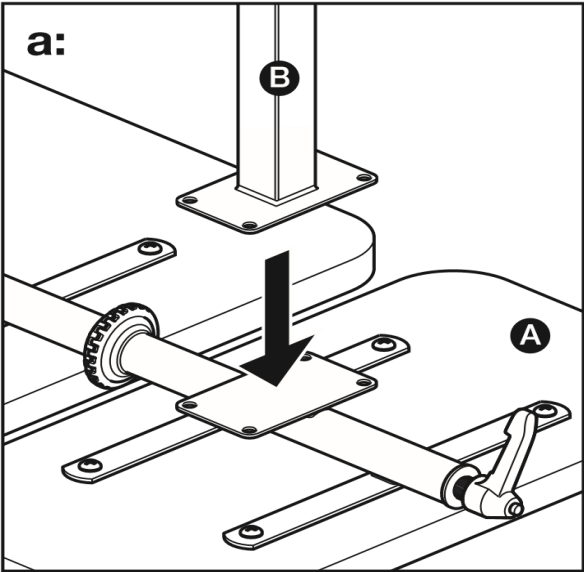
<p>1</p>  <p>15mm Allen bolt x 4</p>	<p>2</p>  <p>40mm Allen bolt x 2</p>	<p>3</p>  <p>Washer & nut x 1</p>	<p>4</p>  <p>Base plate x 1</p>
<p>5</p>  <p>4mm Allen key x 1</p>	<p>6</p>  <p>5mm Allen key x 1</p>	<p>7</p>  <p>Spanner x 1</p>	

Table Assembly



Step 1



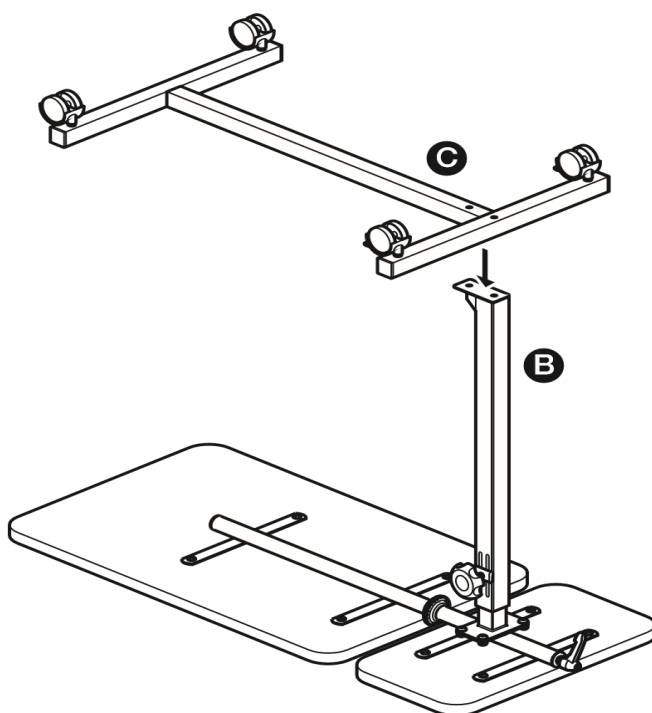
Step 1

Attach the table upright (B) to the table top (A).

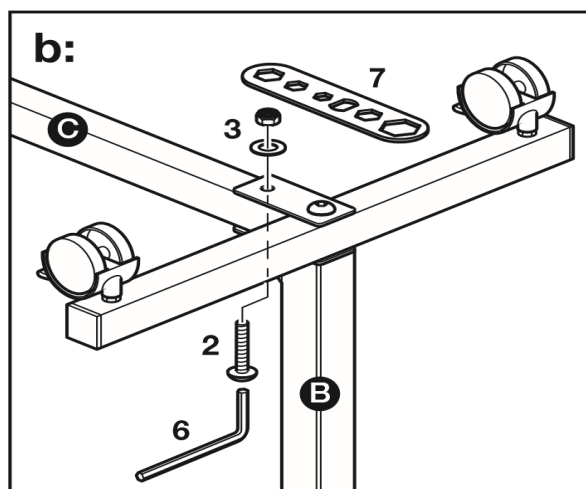
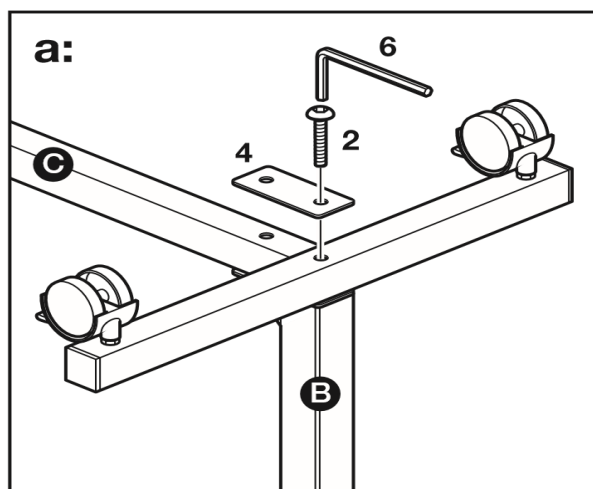
a: Position the table upright (B) onto the plate on the underside of the table top (A).

b: Attach using 4x 15mm Allen bolts and nuts (1). Tighten using the supplied 4mm Allen key (5) and the spanner (7).

Table Assembly



Step 2



Step 2

With help, attach the table base (C) to the table upright (B).

a: Insert the 1st 40mm Allen bolt (2) through the base plate (4), table base (C) and into the table upright (B). Tighten using the supplied 5mm Allen key (6).

b: Insert the 2nd 40mm Allen bolt (2) up through the table upright (B) and table base (C), fix using the washer and nut (3). Tighten using the supplied 5mm Allen key (6) and spanner (7).

Assembly is now complete.

Table Adjustment

Caution:

- Remove all items from the table tops before making any adjustments.
- When adjusting the table height/angle, the table will drop unless it is supported.
- Do not force the main table when adjusting the angle.

Locking / Unlocking the wheels

a: To lock the wheels; push the brake catch down on each wheel.

b: To unlock the wheels; lift the brake catch up on each wheel.

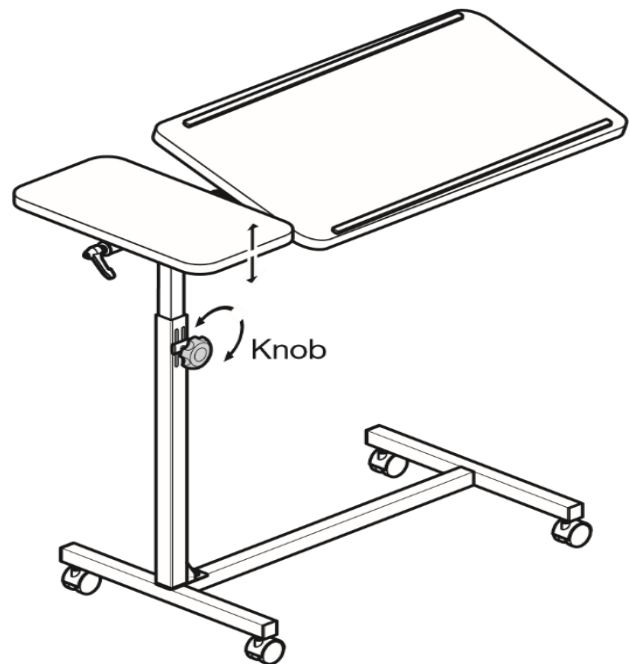
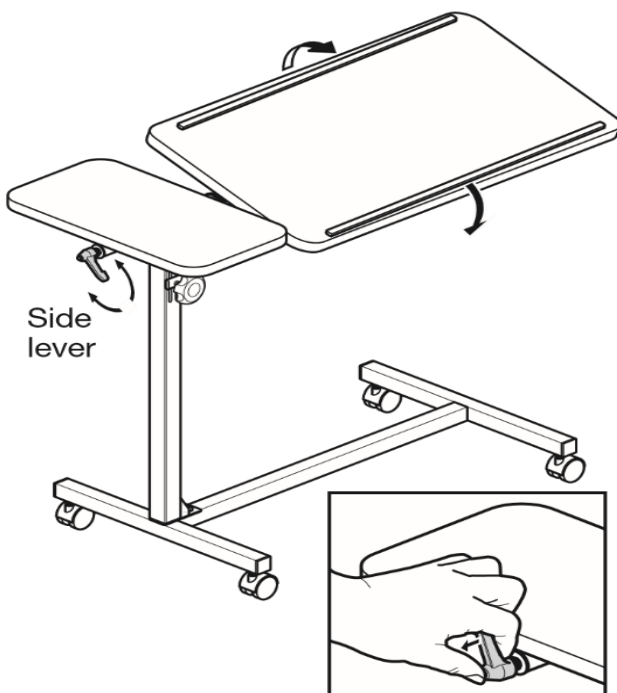
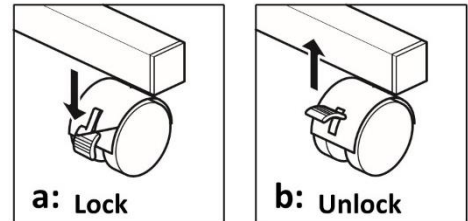


Table Angle Adjustment

Loosen the side lever (2 complete turns anti-clockwise). Adjust the angle as required and re-tighten the lever (turn clockwise) to lock in position.

Note: To rotate the lever out of the way (without loosening), press the button, pull out the lever and rotate as required.

Table height adjustment

Loosen the knob (turn anti-clockwise). Adjust to the height required and re-tighten the knob (turn clockwise) to lock the position.

Care and Maintenance

- The table can be wiped down with a warm damp cloth and mild disinfectant. Do not use hot water or abrasive cleaners as these can damage the table.
- The wooden parts of the table tops may be cleaned with a duster or dry cloth. Polish should not be used as this can cause abrasion of the wood.
- Periodically visually inspect the fixings and re-tighten if necessary.

Specifications

Model Number: **948**

Maximum Weight Capacity: 15kg (33 lbs)

Overall Table Dimensions: 72 – 94cm (H) x 82cm (W) x 38cm (D)
28½ - 37" (H) x 32" (W) x 15" (D)

Main Tabletop Dimensions: 60cm (W) x 38cm (D)
24" (W) x 15" (D)

Side Tabletop Dimensions: 20cm (W) x 38cm (D)
8" (W) x 15" (D)

Warranty

The overbed table carries a 1-year warranty, from date of purchase.

This covers manufacturing and design defects. It does not cover wear and tear and accidental damage. Please see your dealer for full details of the warranty.

This does not affect your statutory rights.

Spares Available

Z948ANG	Angle adjustment handle (no bolt)
Z948BC40MM	Braked Castor
Z948HGT	Height adjustment knob
Z948HWK	Fixing pack for 948 overbed table



Drive DeVilbiss Healthcare Ltd.
Sidhil Business Park, Holmfield, Halifax, West Yorkshire, HX2 9TN, UK

Tel: 0845 0600 333
www.drivedevilbiss.co.uk