

Mobile Open Toe Table

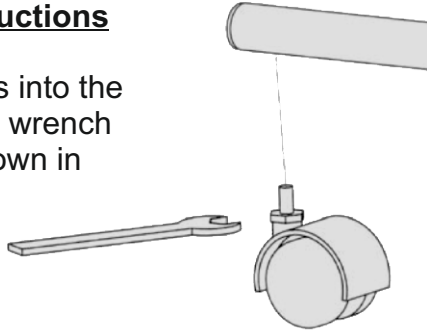
Assembly and Operation Instructions

Model: 251C-45 Open Toe Table with Castors

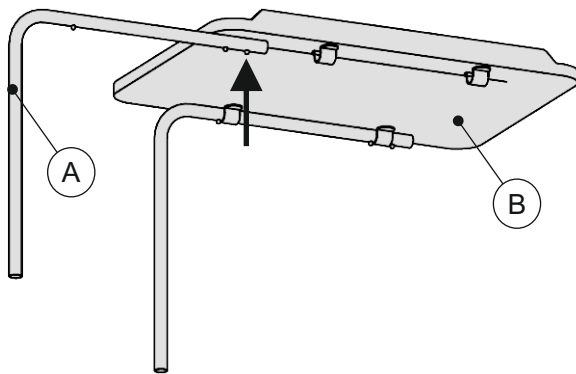
The table is height and angle adjustable. It features a veneer style melamime table top, with two lips for ease-of-use.

Assembly Instructions

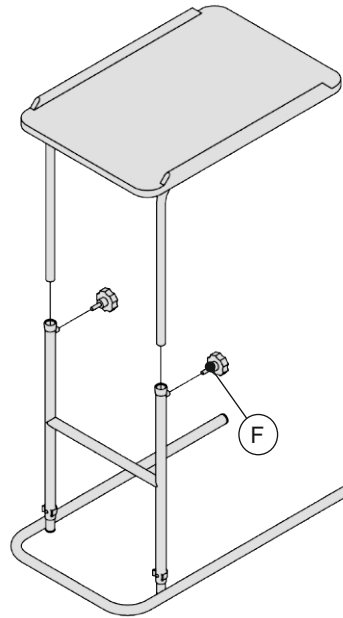
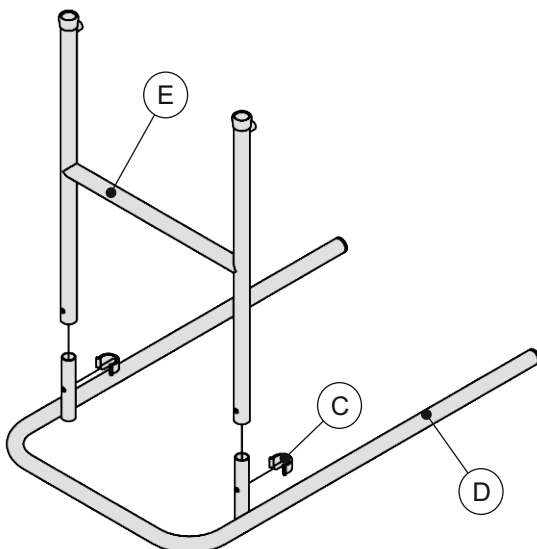
1. Fix the castors into the frame, using the wrench provided (as shown in diagram right).



2. Insert the chrome leg (shown by A) into the brackets located under the tabletop (B). Press the push buttons (arrowed) on the leg to allow it to slide through both of the brackets until the leg is held securely in place. Repeat for the other leg.



3. Remove the E-clips (shown by 'C') from the base frame (D). Insert the 'H' framed tubing (E) into the base frame, ensuring the holes on the tubing are at the bottom. Insert the E-clips to secure the tubing.



3. Connect the two sections of the table together as shown. Adjust the tabletop to the required height and angle. Insert the two handscrews (shown by 'F') into the receivers in the frame. Secure the table in position by turning the two handscrews clockwise, until they lock the table tubing into position.

Operation Instructions

1. To adjust the height and/or angle of the table, first slacken the two handscrews by turning anticlockwise. Adjust the tabletop to the required position and then secure in place by turning the handscrews clockwise.
2. Caution! The table is not load bearing and should not be used to support objects over 15kg. Do not allow people to lean on the table.
3. The table can be cleaned with a soft damp cloth and mild detergent. Do not use abrasive cleaning materials, very hot water or scrub the table top, as this may result in damage.

Specification

Tabletop (cm):	60(w) x 40(d)
Table overall (cm)	67(w) x 40(d)
Table height (cm)	68 - 95
SWL	15kg

Warranty

The open toe table comes with a one-year warranty covering manufacturing and design defects. It does not cover accidental damage or wear and tear. Contact your dealer for full warranty details.

drive

DeVilbiss
HEALTHCARE

Drive DeVilbiss Healthcare Ltd.
Holmfield, Halifax, West Yorkshire, HX2 9TN
www.drivedevilbiss.co.uk