

The logo for Drive, featuring the word "drive" in a white, lowercase, sans-serif font with a yellow and orange horizontal bar above the letter 'i'. A small "TM" trademark symbol is positioned above the top right of the 'e'.

## Warranty

Your Drive branded product is warranted to be free of defects in materials and workmanship for one year from date of purchase.

This device was built to exacting standards and carefully inspected prior to shipment. This warranty is an expression of our confidence in the materials and workmanship of our products and our assurance to the customer.

In the event of a defect covered by this warranty, we will at our option supply parts or replace the device.

This warranty does not cover device failure due to owner misuse or negligence, or normal wear and tear. The warranty does not extend to non-durable components, such as rubber accessories, castors and grips, which are subject to normal wear and need periodic replacement.

If you have any queries or require full warranty conditions, please contact your Drive stockist.

This does not affect your statutory rights.



**Drive DeVilbiss Healthcare Ltd,**  
Heathfield Lane, Birkenshaw,  
West Yorkshire, GB BD11 2HW  
[www.drivedevilbiss.co.uk](http://www.drivedevilbiss.co.uk)

Doc code: 13085\_hangtag (Iss 05/18)

## Seat Lift Chair Table

item # 13085L, 13085R

The logo for Drive, featuring the word "drive" in a white, lowercase, sans-serif font with a yellow and orange horizontal bar above the letter 'i'. A small "TM" trademark symbol is positioned above the top right of the 'e'.

# Assembly Instructions

1. Place the base (#7) under the left side of chair with the magazine rack opening facing the rear of chair. Place the front left leg of the chair on the positioning pad (#8) located near the magazine rack.
2. Stand the Column (#6) on end, making sure the Trip Rod is visible in the rectangular tube but not protruding out of the top, as shown in Fig. 1. If necessary, shake the Column (#6) until the rod drops.
3. Insert Trip Handle (#4) into the Column (#6) with the rounded side up. Be sure that the Trip Handle (#4) rests on top of the rod inside the Column (#6). Fig. 1
4. Place the Top (#1) on a flat surface, with the Top Bracket (#9) facing upward. Then, while holding the Trip Handle (#4) in place so it doesn't fall out, insert the Column (#6) into the Top Bracket (#9). Align the holes in the Column foot (#6), the Trip Handle (#4) and the Top Bracket (#9). Install both bolts (#2) and both nuts (#5) thru these aligned holes with the two (2) 10mm spanners. Fig. 2  
Secure the column bracket (3) to the top bracket (9) with the two M8 screws using a 14mm spanner
5. Pick up the Top (#1) and Column (#6) and place over the round tube on the Base (#7) inside of the magazine rack. Be sure the Column (#6) has dropped down all the way!
6. Remove the black shipping screw in the column and replace it with the zinc plated screw (#3), using a Phillips screwdriver. Fig. 3

## Tools Necessary For Assembly:

- Phillips Screwdriver
- 2x 10mm Spanners (or socket set)
- 1x 14mm Spanner (or socket set)

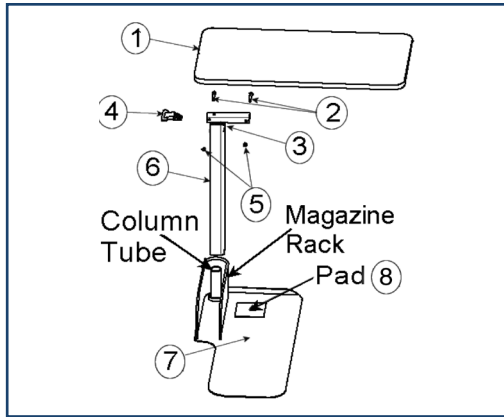


FIGURE 1

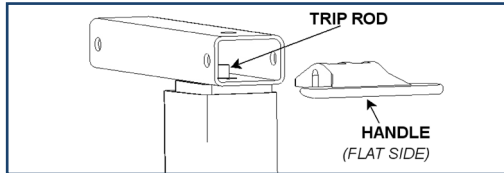


FIGURE 2

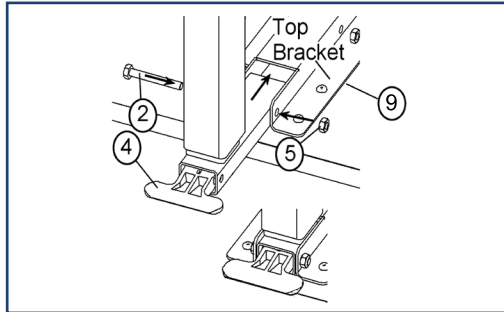
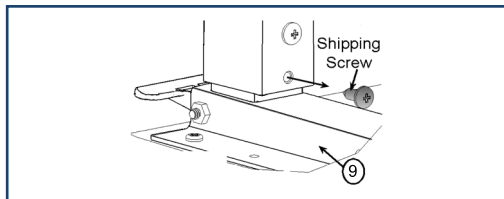


FIGURE 3



# Operating Instructions

## TO ELEVATE THE TABLE:

Push upwards at any position on the underside of the top, until the top has reached the desired height.

## TO LOWER THE TABLE:

Squeeze the trip handle up and push the top down to the desired height. The table will operate best if the downward pressure is placed at the column end of the top.

Occasional application of light oil lubrication between the inner and outer columns will help keep your Table operating smoothly. Penetrating oils with rust inhibitors are recommended.

The table will swing a full 360° around on the base to be used as an end table or a lap tray as needed.

THIS TABLE IS TO BE USED WITH HEAVIER CHAIRS AND COUCHES. INCORRECT POSITIONING OF TABLE BASE (#7) UNDER THE CHAIR OR COUCH MAY RESULT IN THE TABLE TIPPING OVER. (REF. ASSEMBLY STEP 1)



## CAUTION--SPRING LOADED ASSEMBLY

Do not remove the black shipping screw before completing assembly steps 1- 5. Removing the shipping screw before this can result in personal injury and spring damage.

PRODUCT IS NOT TO BE USED AS A LIFT ASSIST OR TO HOLD MORE THAN 50 LBS.