

HOMEGLIIDE STAIRLIFT USER MANUAL

ACCESS



© 2019 thyssenkrupp Stairlifts BV

Version 2.2

All rights reserved.

Specifications and illustrations are subject to change without prior notice.

thyssenkrupp Stairlifts BV will not accept liability for any alteration or typing error.

Subject to the exceptions provided by law, this publication and/or its contents may not be, whether entirely or partly, reproduced, copied, and/or published in print, by photocopying, on microfilm, electronically or in any other way without the prior written consent of thyssenkrupp Stairlifts BV.

TABLE OF CONTENTS

1	Introduction	1
1.1	Manual	1
1.2	Symbols	1
1.3	Intended use	1
2	Safety	2
2.1	Safety warnings	2
3	Description	4
3.1	Stairlift	4
3.2	Controls	5
3.3	Swivel seat	8
3.4	Optional features	9
4	Use	11
4.1	Unfolding the seat and sitting down	11
4.2	Travelling with the stairlift	12
4.3	Emergency stop	12
4.4	Standing up and folding the seat	13
5	Maintenance	14
5.1	Cleaning the stairlift	14
5.2	Regular maintenance	14
5.3	Replacing the batteries of the call-and-send controls	14
6	Signals	15
6.1	Signals on armrest control unit	15
7	Technical data	16
8	EC Declaration of conformity	18
9	Contact	19

1 INTRODUCTION

1.1 MANUAL

The manual describes all equipment that is available for the HomeGlide stairlift. Not all features may be available for the model installed in your home. Illustrations may differ from the model installed in your home.

The terms “left”, “right”, “front” and “rear” are used to identify specific parts of the stairlift. The reference point is always your position as user, sitting on the stairlift.

The terms “parking point” and “charging point” commonly refer to the same point. When the action of parking is referred to, the term “parking point” is used. When the action of charging is referred to, the term “charging point” is used.

1.2 SYMBOLS



WARNING

“WARNING” means that a (fatal) injury is possible if the instructions are not obeyed.



CAUTION

“CAUTION” means that damage to equipment is possible if the instructions are not obeyed.



NOTE

“NOTE” is used to give additional information.

1.3 INTENDED USE

The stairlift has been designed to transport one person up and down the stairs. The stairlift can only be used for straight stairs.

The stairlift operates with an electric motor that is powered by rechargeable batteries in the motor housing. The batteries are charged at the charging points at the top and bottom of the stairs. As an option, the batteries can also be charged at any additional charging point.

The stairlift can be operated in two ways:

- While you are seated on the stairlift, use the armrest control unit in one of the armrests.
- If the stairlift is not in the required place, use the call-and-send controls at the top and bottom of the stairs.

2 SAFETY

2.1 SAFETY WARNINGS

thyssenkrupp Stairlifts BV is not responsible for injury or damage caused by not obeying the safety warnings in the manual.

2.1.1 User

- Before you use the stairlift, read the manual carefully. Only use the stairlift if you know and understand the safety warnings and the operating instructions.
- An authorised technician will demonstrate how the stairlift operates. Do not hesitate to ask the technician all your questions. Before you use the stairlift, make sure that you understand all procedures.
- Keep the manual near the stairlift for easy reference. Save the phone number of the service centre in or near your phone.
- The stairlift is only intended for use by adults who have fully read and understood the manual.
- Minors and users with an intellectual disability can only use the stairlift under supervision.
- Keep children away from the stairlift. Do not let children play with the stairlift.
- Do not use the stairlift for the transport of more than one person at the same time.
- Do not use the stairlift when your weight is more than the maximum permitted weight: see chapter 7.

2.1.2 Stairs and stairlift

- Do not use the stairlift in case of fire or near explosive materials.
- Keep water and moisture away from the stairlift.
- Do not use the stairlift to transport animals. Keep animals away from the stairs and the stairlift.
- Do not use the stairlift to transport goods. Keep goods away from the stairs and the stairlift.
- Before use, inspect the stairs and the stairlift. Only use the stairlift when the stairs are free of obstacles. Make sure that there are no obstacles on the rail.
- Make sure that loose clothing cannot become caught in the moving parts of the stairlift.
- Do not stand on the footrest. Always sit on the seat.
- Always wear the safety belt.
- Remain seated upright during the ride. Do not lean back or forward. Do not make any unnecessary movements.
- Keep your arms and hands on the armrests.
- Keep your feet on the footrest. Do not let your feet protrude outside the footrest.

- Do not get off the stairlift on the stairs, not even in case of a breakdown. Only get off the stairlift at floor positions.
- Carefully fold or unfold any parts of the stairlift.
- Do not physically force the stairlift to start moving.
- Park the stairlift at a parking point to make sure that the batteries remain charged. The stairlift stops when it arrives at a parking point. If you do not park the stairlift at a parking point, a continuous sound indicates that the batteries can become empty.
- Report unusual sounds or vibration to your supplier immediately.
- The joystick is also an emergency device.

Indoor use: In case of an emergency, remove the joystick from the armrest control unit. The stairlift will not operate when the joystick is removed from the armrest control unit.

Outdoor use: In case of an emergency, switch off the stairlift using the key switch.

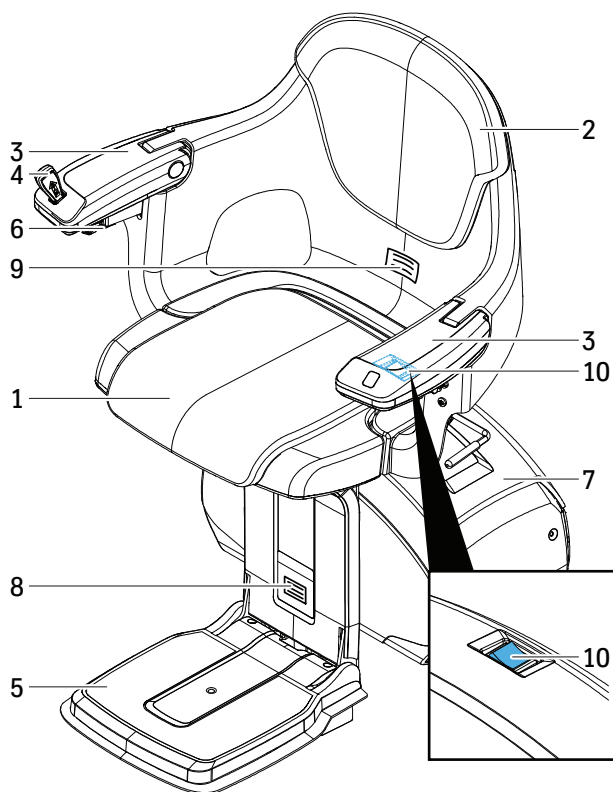
- Keep the mains cable connected to the wall outlet to make sure that the batteries remain charged and the stairlift is ready for use.

2.1.3 Maintenance

- Only carry out maintenance which is described in the manual. Refer to chapter 5 “Maintenance”.
- An authorised technician must carry out maintenance and repair which is not described in the manual.
- Do not disassemble or repair the stairlift yourself. Have stairlift parts repaired and replaced by an authorised technician.
- Do not modify the stairlift in any way.
- Do not remove stickers, labels, data plates and warning plates from the stairlift.
- If you think that the stairlift has a defect which can cause (fatal) injury, do not use the stairlift and immediately contact your supplier.
- For North America: Do regular tests and inspections according to “ASME A18.1 - 2005: Safety Standard for Platform Lifts and Stairway Chairlifts”.

3 DESCRIPTION

3.1 STAIRLIFT



LEV0007

1. Seat
2. Backrest
3. Armrest
4. Armrest control unit (Refer to section 3.2.1“Armrest control unit”)
5. Footrest
6. Safety belt
7. Motor housing
8. Data plate
9. Warning plate
10. Main switch (Refer to section 3.2.3“Main switch”)

3.2 CONTROLS

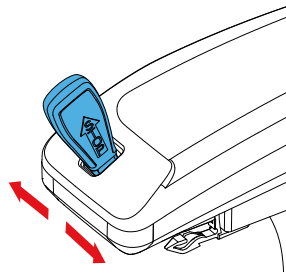
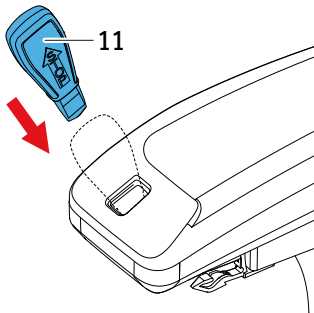
3.2.1 Armrest control unit

Use the armrest control unit to move the stairlift while you are seated in the chair. The armrest control unit is mounted on the armrest that is closest to the bottom of the stairs.

3.2.1.1 HomeGlide Standard / HomeGlide Extra

11. Joystick

- Insert the joystick into the armrest control unit.
- Push and hold the joystick to the left or to the right to move the stairlift.
- Release the joystick to stop the stairlift.



LEV0008



NOTE

The stairlift will only move if the joystick is inserted in the armrest control unit.

The armrest control unit has priority over the call-and-send controls (if the joystick is inserted in the armrest control unit).

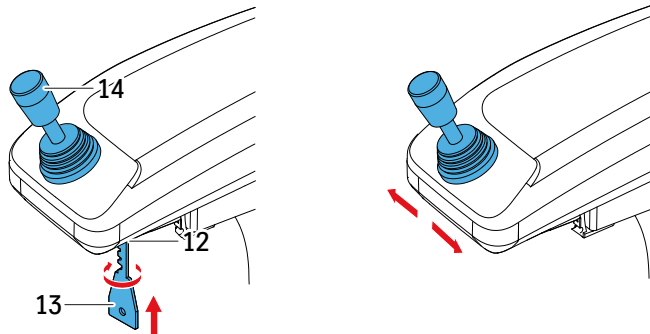
3.2.1.2 HomeGlide Outdoor

12. Key switch

13. Key

14. Joystick

- Insert the key into the key switch.
- Switch on the stairlift using the key switch.
- Push and hold the joystick to the left or to the right to move the stairlift.
- Release the joystick to stop the stairlift.



LEV0010



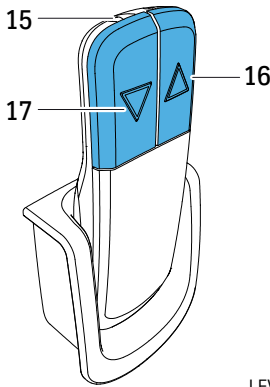
NOTE

The stairlift will only move if it is switched on using the key switch.

The armrest control unit has priority over the call-and-send controls (if the key is inserted in the key switch and the stairlift is switched on using the key switch).

3.2.2 Call-and-send controls

Use the call-and-park stations to move the stairlift while you are not seated in the chair. The call-and-park stations are located at the top and the bottom of the stairs. As an option, the call-and-park stations can also be located at intermediate floors with a parking point.



LEV0012

15. Call-and-send control

16. Ascend button

- Point the call-and-send control to the stairlift.
- Push and hold the button to raise the stairlift.
- After the stairlift stops, release the button.

17. Descend button

- Point the call-and-send control to the stairlift.
- Push and hold the button to lower the stairlift.
- After the stairlift stops, release the button.



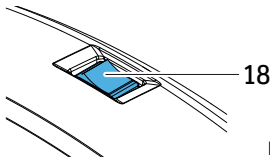
NOTE

The armrest control unit has priority over the call-and-send controls.

HomeGlide Outdoor: Keep water and moist away from the call-and-send control.

The call-and-send control is not waterproof.

3.2.3 Main switch



LEV0013

18 Main switch

In normal use, the main switch is not used.

- Set the main switch to the off position to switch off the stairlift.
- Set the main switch to the on position to switch on the stairlift.



CAUTION

Use only the main switch to switch the stairlift on or off. Do not remove the mains plug from the wall socket.

3.3 SWIVEL SEAT

3.3.1 Manual swivel seat (HomeGlide Standard / HomeGlide Extra / HomeGlide Outdoor)

Before you sit down or stand up, you can turn the chair to face the landing at the top floor level. With the manual swivel seat, you can turn the chair 70° while the stairlift is at a landing. You cannot move the stairlift until the chair is back into the ride position (i.e. at a 90° angle with the stairs).

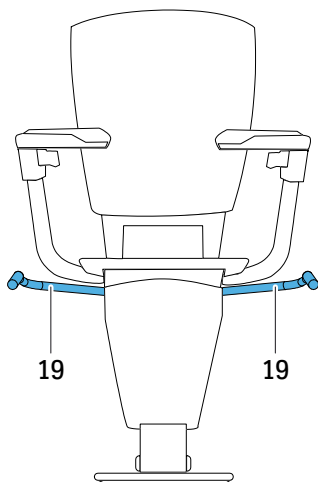


WARNING

Before you sit down or stand up, lock the swivel seat.

19. Manual swivel seat

- Pull up the handle to unlock the seat.
- Turn the seat to face the landing at the top floor level.
- Release the handle to lock the seat.



LEV0014

3.3.2 Automatic swivel seat (HomeGlide Extra)

The stairlift is equipped with an automatic swivel seat. Before you sit down or stand up, the chair will turn automatically to face the landing at the top floor level. The chair will also turn back automatically to face the stairs. The stairlift will not move until the chair is back into the ride position (i.e. at a 90° angle with the stairs).

3.4 OPTIONAL FEATURES

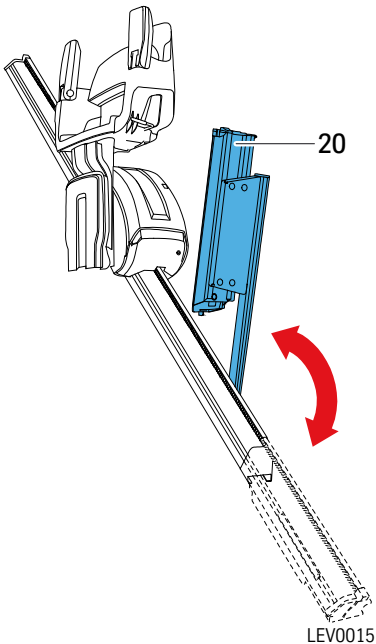
3.4.1 Hinged rail

The hinged rail is a section of the rail at the bottom of the staircase that will automatically lower and raise when the stairlift is operated. The hinged rail is a useful feature in situations where there is an obstruction (doorways) or where the protrusion of the foot of the rail can cause a tripping hazard (passageways). The hinged rail comes together with an extra parking point.



WARNING

Before you use the stairlift, make sure that the area around the hinged rail is free of obstacles.



20. Hinged rail

- Push and hold the joystick to the left or to the right to move the stairlift.
- If the stairlift reaches the extra parking point, it will come to a momentary standstill.
- Keep the joystick pushed until the hinged rail is fully raised or lowered. The stairlift will start moving again automatically.

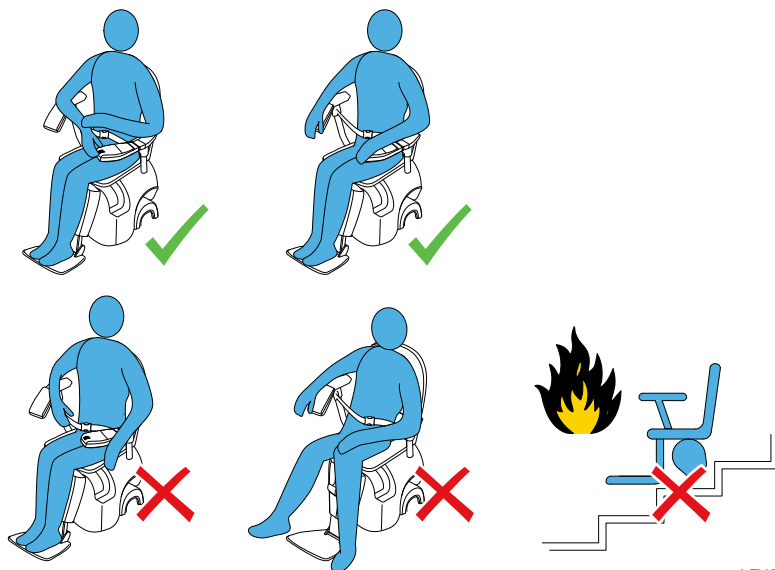
3.4.2 Extra parking point

The stairlift can be equipped with an extra parking point. If the stairlift reaches the extra parking point, it will come to a momentary standstill. Keep the joystick pushed until the stairlift starts moving again automatically.

3.4.3 Rain cover (HomeGlide Outdoor)

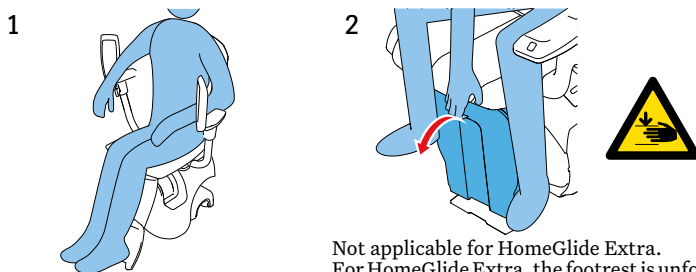
The rain cover keeps off leaves and other garden debris and provides additional protection against the elements (rain, hail, snow, lightning, etc.). Put the rain cover over the stairlift when not used.

4 USE

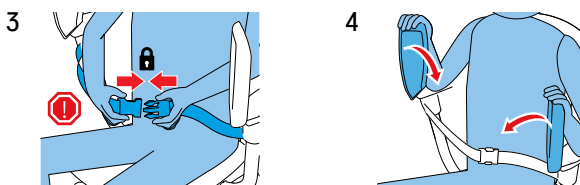


LEV00017

4.1 UNFOLDING THE SEAT AND SITTING DOWN



Not applicable for HomeGlide Extra.
For HomeGlide Extra, the footrest is unfolded automatically when you unfold the seat.



LEV00021

4.2 TRAVELLING WITH THE STAIRLIFT



CAUTION

HomeGlide Standard / HomeGlide Extra: Do not remove the joystick from the armrest control unit for normal use. Only remove the joystick from the armrest control unit in case of an emergency or to switch off the stairlift in order to prevent unauthorized use. The stairlift will not operate when the joystick is removed from the armrest control unit.

1. Push and hold the joystick on the armrest control unit to the left or to the right to move the stairlift. Refer to chapter 6 “Signals”.



NOTE

If you release the joystick, the stairlift will stop immediately. You can start the stairlift again only after a short delay.

2. The stairlift will stop at all parking points. If you hold the joystick to the left or to the right, the stairlift will start moving again automatically.
3. Release the joystick to stop the stairlift.

4.3 EMERGENCY STOP



WARNING

Do not get off the stairlift on the stairs, not even in case of a breakdown. Only get off the stairlift at floor positions.

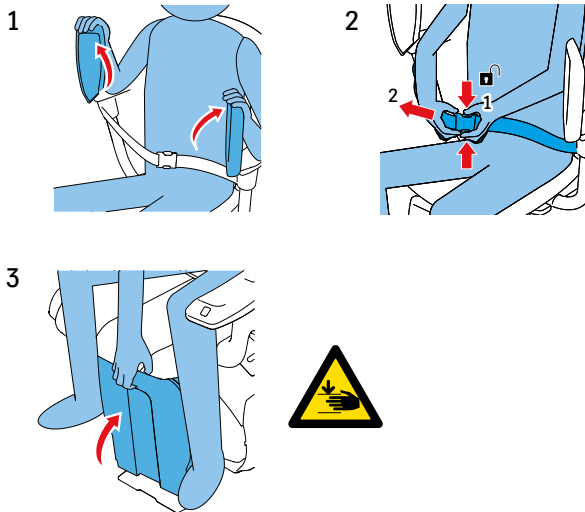


CAUTION

Do not remove the joystick from the armrest control unit for normal use. Only remove the joystick from the armrest control unit in case of an emergency. The stairlift will not operate when the joystick is removed from the armrest control unit.

- To stop the stairlift in case of an emergency, remove the joystick from the armrest control unit.
- To start the stairlift again, insert the joystick back in the armrest control unit.

4.4 STANDING UP AND FOLDING THE SEAT



Not applicable for HomeGlide Extra.
For HomeGlide Extra, the footrest is folded
automatically when you fold the seat.

5 MAINTENANCE

5.1 CLEANING THE STAIRLIFT

- Regularly clean the stairlift – seat, backrest, armrest, footrest, safety belt, motor housing – with a soft, damp cloth. If necessary, use a mild detergent.
- Keep the armrest control unit and the call-and-send controls free of dirt.
- Regularly remove dust from the stairs and the rail with a damp cloth.

5.2 REGULAR MAINTENANCE

To keep your stairlift in the best condition, it is strongly recommended that it is annually serviced by an authorized service company.

During service, the following items will be inspected and tested:

- Safety functions (safety belt etc.)
- Moving parts (armrest hinges, folding of seat etc.)
- Electronics (batteries, cabling etc.)
- Drive (covers, motor etc.)
- Rail (fixations, grease etc.)

An authorized technician is in possession of the complete service checklist.

5.3 REPLACING THE BATTERIES OF THE CALL - AND - SEND CONTROLS

The call-and-send controls use 2 AA batteries. After approximately 12 months, replace the batteries.

1. Open the cover of the battery compartment.
2. Replace the batteries.
3. Close the cover of the battery compartment.



NOTE

After you replace the batteries, purchase new spare batteries as soon as possible.

6 SIGNALS

6.1 SIGNALS ON ARMREST CONTROL UNIT

Signal	Meaning	Action
Fast intermittent beeps	The stairlift has encountered an obstacle and has stopped.	Move the stairlift in the opposite direction to a parking point. Before you use the stairlift, make sure that the stairs are free of obstacles.
	The batteries are low.	Move the stairlift in the downwards direction to a parking point. Before you use the stairlift, make sure that the batteries are at least charged for a couple of hours.
2-tone beeps during 3 seconds, repeated every 10 seconds	The stairlift is not on a charging point.	Move the stairlift to a charging point.
1 beep for 2 seconds	The stairlift starts moving.	---
3 beeps for 2 seconds	The stairlift arrives at a landing.	---
1 beep for 0.5 second, repeated every second + 3-tone end beep	The automatic swivel seat is in motion.	---
1 beep for 0.5 second, repeated every second	The hinged rail is in motion.	---

7 TECHNICAL DATA

Maximum permitted weight	145 kg @ max 45 ° rail - indoor only 125 kg @ max 53 ° rail
Driving speed (nominal)	0.12 m/s (23.6 ft/min)
Sound pressure level	67 dB(A)

Electrical system

Indoor	Input voltage	100 - 240	Vac
	Frequency	50/60	Hz
	Output voltage	36	Vdc
	Output current	1000	mA
Outdoor	United Kingdom		
	Input voltage	240	Vac
	Frequency	50	Hz
	Output voltage	6	Vac
	Output current	4000	mA
	Europe		
	Input voltage	230	Vac
	Frequency	50	Hz
	Output voltage	6	Vac
	Output current	4000	mA
	USA / Canada		
	Input voltage	120	Vac
Frequency	60	Hz	
Output voltage	6	Vac	
Output current	4000	mA	
Japan			
Input voltage	100	Vac	
Frequency	50/60	Hz	
Output voltage	6	Vac	
Output current	4000	mA	

Environmental conditions

Ambient temperature	Indoor: 5 - 40 °C (41 - 104 °F) Outdoor: -10 - 60 °C (14 - 140 °F)
Relative humidity	Indoor: 20 - 80% Outdoor: 0 - 100%

Batteries (chairlift)

Battery type	PBQ 7-12L, 12 V
Number of batteries	2
Charging time	16 hours
Capacity	10 journeys (125 kg (275 lbs), 1 floor height)

Batteries (call-and-send control)

Battery type	AA: 1.5 V
Number of batteries	2

8 EC DECLARATION OF CONFORMITY

thyssenkrupp Stairlifts BV declares that:

the Levant stairlift (commercial name: Levant, Levant Comfort, Levant Outdoor),
with serial number 475 000 to 525 000,

<p>Complies with the essential requirements of the following applicable European Directives:</p> <p>Machine Directive 2006/42/EC Low Voltage Directive 2014/35/EC EMC Directive 2014/30/EC</p> <p>RoHS Directive 2011/65/EC WEEE Directive 2012/19/EC REACH Regulation 1907/2006</p>	<p>Conforms with the following product standards:</p> <p>EN81-40:2008 (harmonized) EN-IEC 60204-1:2006+A1:2009+C11:2010 EN-IEC 61508:2010 EN 55016-2-1:2014 EN 55016-2-3:2010+A1:2010+A2:2014+C1:2013 EN 61000-3-2:2014 Class A EN 61000-3-3:2013 EN 61000-4-2:2009 EN 61000-4-3:2006+A1:2008+A2:2010 EN 61000-4-4:2012 EN 61000-4-5:2014 EN 61000-4-6:2014 EN 61000-4-11:2004 EN 61000-6-3:2007+A1:2011+AC:2012, Class B EN 61000-6-1:2007</p>
<p>Notified Body</p>	<p>Lifstinstituut BV Buikslotermeerplein 381 1025 XE Amsterdam The Netherlands EC-type examination certificate: NL06-400-1001-061-04 Rev. 5</p>
<p>Quality Assurance ISO9001:2015 / 14001:2015 / OHSAS 18001:2007</p>	<p>DEKRA Certification Meander 1051 6825 MJ Arnhem The Netherlands Certificate number 2159029 / 2159030 / 2170691</p>
<p>We declare that the application has not been submitted to another notified body.</p>	

Krimpen aan den IJssel, August 1st 2018


Managing Director

M. Verkiel


Financial Director

I. Volmer

thyssenkrupp Stairlifts BV
Van Utrechtweg 99, 2921 LN
P.O. Box 754, 2920 CB
Krimpen aan den IJssel
The Netherlands

Phone: +31 (0)180 530 900
Fax: +31 (0)180 530 901
E-mail: info.stairlifts@thyssenkrupp.com

Bank: BNP Paribas Fortis SA/NV
BIC/Swift: BNPANL2A
IBAN: NL82BNPA0227687647

CoC number: 24324608
VAT number: NL8100.53.950.B01

All our offers and agreements are subject to the General Terms and Conditions of the Dutch Association of Elevator and Escalator Engineering (Nederlandse Vereniging voor Lift- en Roltraptechniek) in Zoetermeer, as they were last registered at the Chamber of Commerce of The Hague.

9 CONTACT

For information which is not in the manual, contact your dealer.

Phone number:

To support you as quickly as possible, please have the below details available when you contact our service department staff:

Name of user:

.....

Phone number:

.....

Installation number:

.....

Type of stairlift:

.....

Description of the problem:

.....
.....
.....
.....

Manufacturer

thyssenkrupp Stairlifts BV
Van Utrechtweg 99, 2921 LN
P.O. Box 754, 2920 CB
Krimpen aan den IJssel
(The Netherlands)
Phone: +31 (0)180 530 900

info.stairlifts@thyssenkrupp.com
www.thyssenkrupp.com